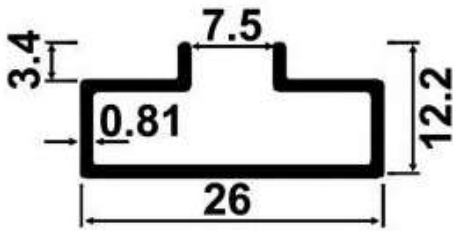
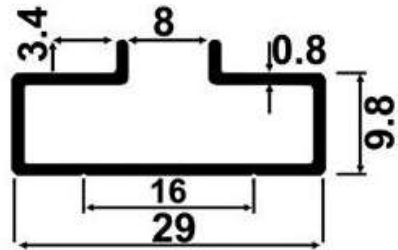


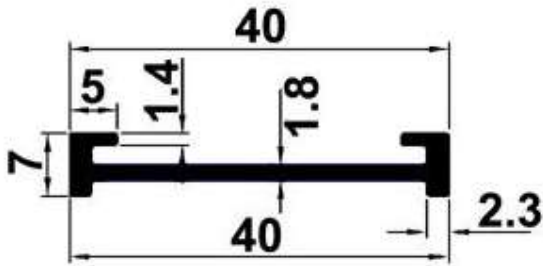
**DISPLAY SECTION**



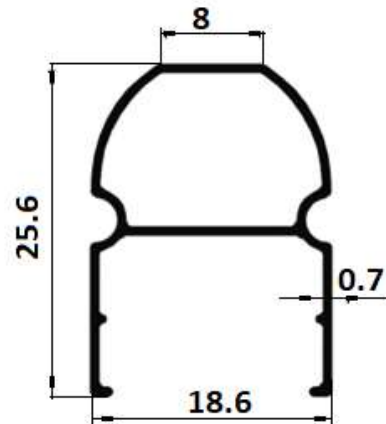
SI NO	SECTION NO.	WEIGHT(KG/M)
1	2501	0.146



SI NO	SECTION NO.	WEIGHT(KG/M)
1	2502	0.157

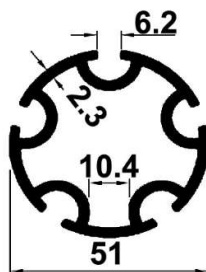


SI NO	SECTION NO.	WEIGHT(KG/M)
1	2508	0.279



SI NO	SECTION NO.	WEIGHT(KG/M)
1	2504	0.517

**WATER CHANNEL**



SI NO	SECTION NO.	WEIGHT(KG/M)
1	9051	1.375